

**** SPECIAL ORDER ****

ASFA[®] - L *worm-drive hose clips*

E Manual or automatic assembly.

D The compact housing grips the screw preventing lateral movement during tightening.

F The screw was designed to take a lot of torque and can be tightened using a variety of different tools.

C All Mikalor hose clips are marked with the application range, material, the Mikalor logo and the country of manufacture in compliance with DIN 3017.

G The exclusive design of the housing keeps the screw in firm contact with the band and means that the ASFA-L gives great performance.

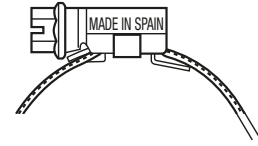
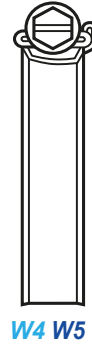
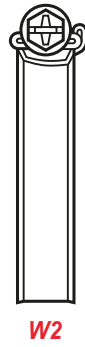
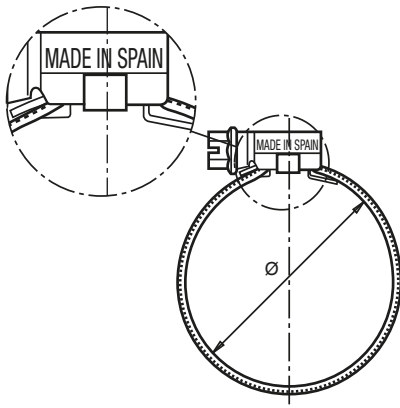
B Inner lip specially designed to guide the band end around the underside of the band. This feature help to avoid leaks and guarantees top performance compared to other clamps and an even distribution of pressure around the band.

H Bevelled band edges to avoid the clip cutting into the hose.

A Cold formed stamped band thread which gives a very good grip due to the fact that the thread is deeper than the thickness of the material used.

I Smooth band underside which avoids damage to the hose.





Material specification:

W2

Screw:

Qst 36-3 Mild steel
(DIN 1.0213)
Silver-white Cr3 Zinc-Plated

Band and Housing:

X6Cr17 Stainless steel
(DIN 1.4016) (AISI-430)

W4

Screw:

AISI-304 Cu (A2)
Stainless steel

Band and Housing:

X5CrNi1810
Stainless steel
(DIN 1.4301) (AISI-304) (A2)

W5

Screw:

AISI-316 Cu Stainless steel (A4)

Band and Housing:

X5CrNiMo 17.12.2
Stainless steel(DIN 1.4401)
(AISI-316) (A4)

Application Ø mm	Application Ø inches	Part n° W2	Part n° W4	Part n° W5	Max. Values* Torque (Nm)	Max. Values* Pressure (Bars)	Box Quantity (MOQ)
8-12	5/16-15/32	03016508	03014000	-	1,5	40	200
8-16	5/16-5/8	03016516	03014019	03015759	3,0	45	200
12-22	1/2-7/8	03016524	03014027	03015767	3,0	45	200
16-27	5/8- 11/16	03016532	03014035	03015775	3,5	42	200
20-32	3/4 - 11/4	03016540	03014043	03015783	3,5	36	200
25-40	1- 15/8	03016559	03014051	03015804	4,0	32	100
30-45	11/8 - 13/4	03016567	03014060	03015812	4,0	28	100
32-50	11/4 - 17/8	03016575	03014078	03015820	4,0	24	100
40-60	15/8 - 23/8	03016583	03014086	03015839	4,0	19	100
50-70	17/8 - 23/4	03016591	03014094	03015847	4,0	17	100
60-80	23/8 - 31/8	03016604	03014107	03015855	4,0	15	100
70-90	23/4 - 31/2	03016612	03014115	03015863	4,0	13	50
80-100	31/8 - 4	03016620	03014123	03015871	4,0	11	50
90-110	31/2 - 43/8	03016639	03014140	03015880	4,0	10	25
100-120	4 - 41/2	03016647	03014158	03015898	4,0	9	25
110-130	43/8 - 5	03016655	03014166	03015900	4,0	8	25
120-140	4/2 - 51/2	03016663	03014174	03015919	4,0	7	25
130-150	5 - 53/4	03016671	03014182	03015927	4,0	6	25
140-160	51/2 - 61/4	03016680	03014190	03015935	4,0	5	25

* The maximum application pressure can vary depending on the type of hose used and the geometry of the coupling.

Patented Worldwide.

